

电动球阀系列
Electric ball valve series

电动蝶阀系列
Electric butterfly valve series



Q941F-16P/R
电动法兰球阀
Electric flanged ball valve



Q941F-16P/R
防爆电动法兰球阀
Explosion-proof electric flanged ball valves



Q911F-16P/R
电动螺纹球阀
Electric thread ball valve



Q911F-16P/R
防爆电动螺纹球阀
Explosion-proof electric threaded ball valve



Q941F-16P/R
电动三片式法兰球阀
Three type electric flanged ball valves



Q981F-16P/R
电动三片式快装球阀
The electric three chip fast loading ball valve



Q944/5F-16P/R
电动三通法兰球阀
Electric 3-way flanged ball valves



Q984/5F-16P/R
电动三通卫生级快装球阀
Electric three-way sanitary class quick ball valve



Q971F-16P/R
电动意大利薄型对夹球阀
Electric Italian thin ball valve to the damp



VQ971H-16P/R
电动V型切断球阀
Electric V cutting ball valve



Q981F-16P/R
电动卫生级快装球阀
Quick install ball valve electric health level



Q991X-10U
电动UPVC双由令球阀
Electric UPVC double by ball valve



D971F-16Q
电动对夹蝶阀
Electric butterfly valve to the damp



D971X-16Q
电动对夹蝶阀
Electric butterfly valve to the damp



D971X-10P
电动全不锈钢对夹蝶阀
Electric stainless steel butterfly valves to the damp



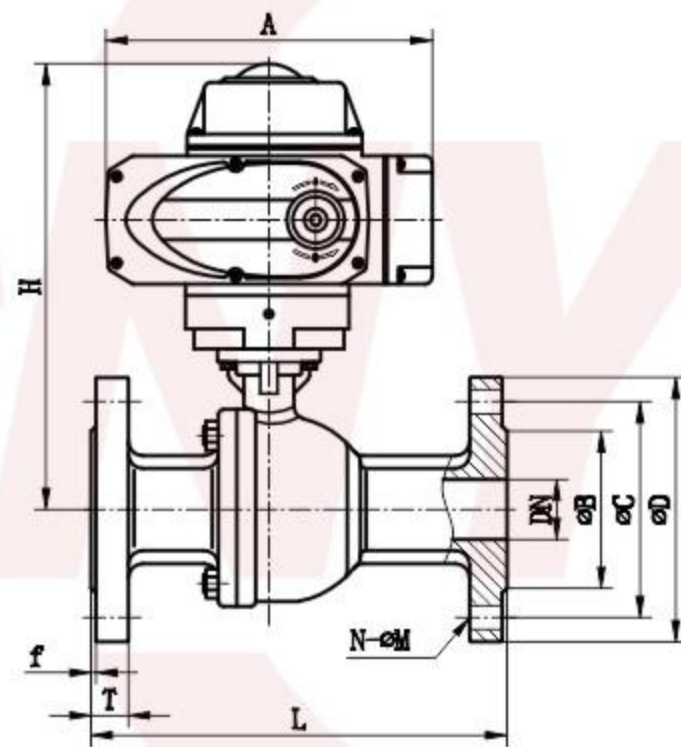
D981X-16P/R
电动卫生级快装蝶阀
Electric level health fast loading butterfly valve



D971F-16Q
防爆电动对夹蝶阀
Explosion-proof electric butterfly valve to the damp



D971X-10U
电动UPVC蝶阀
UPVC butterfly valves

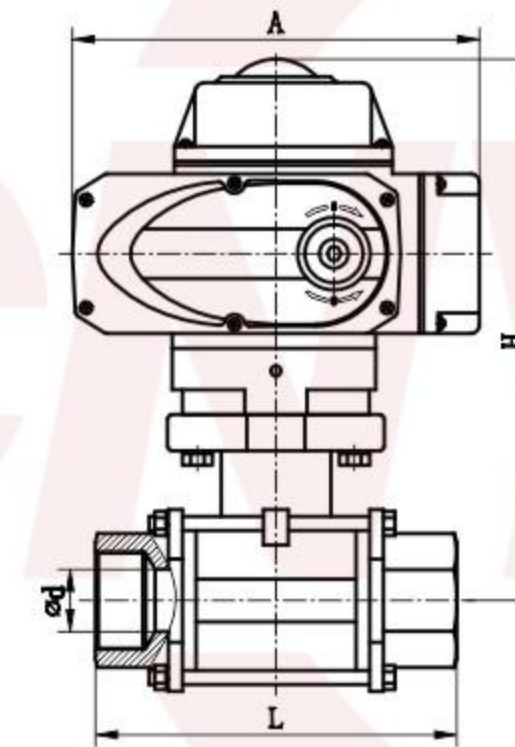
Q941F-16P/R
电动高平台法兰球阀**技术参数**

介质温度: $-20^{\circ}\text{C} \sim +180^{\circ}\text{C}$
 环境温度: $-20^{\circ}\text{C} \sim +60^{\circ}\text{C}$
 公称压力: $0 \sim 1.6\text{MPa}$
 控制电源: AC110V、AC220V
 AC380V、DC24V
 规格: DN15-DN200
 阀体材质: CF8、CF8M
 阀座材质: PTFE
 阀杆材质: 304
 控制特点: 开关型、调节型

Technical parameters

Medium temperature: $-20^{\circ}\text{C} \sim +180^{\circ}\text{C}$
 Ambient temperature: $-20^{\circ}\text{C} \sim +60^{\circ}\text{C}$
 Nominal pressure: $0 \sim 1.6\text{MPa}$
 Control power: AC110V, AC220V
 AC380V, DC24V
 Specification: DN15 - DN200
 The valve body material: CF8, CF8M
 seat material: PTFE
 Stem material: 304
 Control features: switch model, external regulation

型号 model	L	T	f	D	C	B	A	H	N-H	执行器 Actuator
DN15	130	14	2	95	65	45	160	178	4-Φ14	YL-05
DN20	140	15	2	105	75	54	160	185	4-Φ14	YL-05
DN25	150	16	2	115	85	65	160	188	4-Φ14	YL-05
DN32	165	16	2	135	100	78	160	197	4-Φ18	YL-05
DN40	180	17	2	145	110	85	196	212	4-Φ18	YL-10
DN50	200	18	2	160	125	100	196	240	4-Φ18	YL-10
DN65	220	18	2	180	145	120	256	294	4-Φ18	YL-20
DN80	250	18	2	195	160	135	256	306	8-Φ18	YL-20
DN100	280	20	2	215	180	155	256	321	8-Φ18	YL-20
DN125	320	22	3	245	210	185	256	420	8-Φ18	YL-40
DN150	360	24	3	280	240	210	256	445	8-Φ22	YL-60
DN200	400	26	3	335	295	265	280	510	12-Φ22	YL-200

D911F-16P/R
电动三片式螺纹球阀**技术参数**

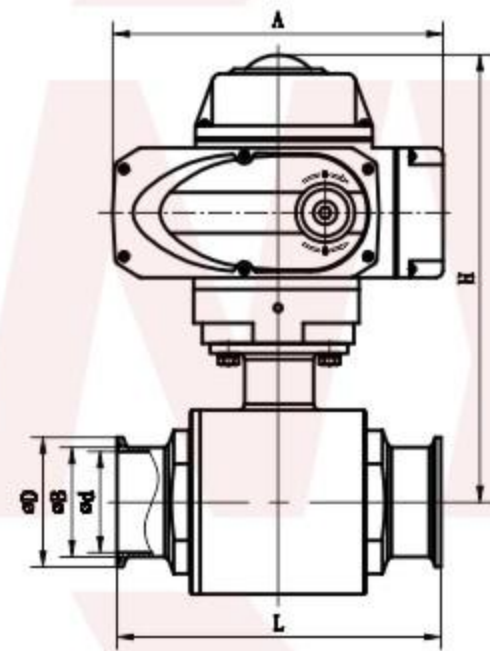
介质温度: $-20^{\circ}\text{C} \sim +180^{\circ}\text{C}$
 环境温度: $-20^{\circ}\text{C} \sim +60^{\circ}\text{C}$
 公称压力: $0 \sim 4.0\text{MPa}$
 控制电源: AC110V、AC220V
 AC380V、DC24V
 规格: DN15~DN100
 阀体材质: CF8、CF8M
 阀座材质: PTFE
 阀杆材质: 304
 控制特点: 开关型、调节型

Technical parameters

Medium temperature: $-20^{\circ}\text{C} \sim +180^{\circ}\text{C}$
 Ambient temperature: $-20^{\circ}\text{C} \sim +60^{\circ}\text{C}$
 Nominal pressure: $0 \sim 4.0\text{MPa}$
 Control power: AC110V, AC220V
 AC380V, DC24V
 Specification: DN15 ~ DN100
 The valve body material: CF8, CF8M
 seat material: PTFE
 Stem material: 304
 Control features: switch model, external regulation

型号 model	d	L	A	H	执行器 Actuator
1/2"	15	75	160	166	YL-05
3/4"	20	80	160	170	YL-05
1"	25	90	160	180	YL-05
1 1/4"	32	110	160	185	YL-05
1 1/2"	38	120	160	198	YL-05
2"	50	140	196	237	YL-10
2 1/2"	65	185	196	252	YL-10
3"	78	205	256	302	YL-20
4"	98	240	256	320	YL-20

电动卫生级快装球阀
Electric sanitary quick-install ball valve



Q981F-16P/R
电动卫生级快装球阀

技术参数

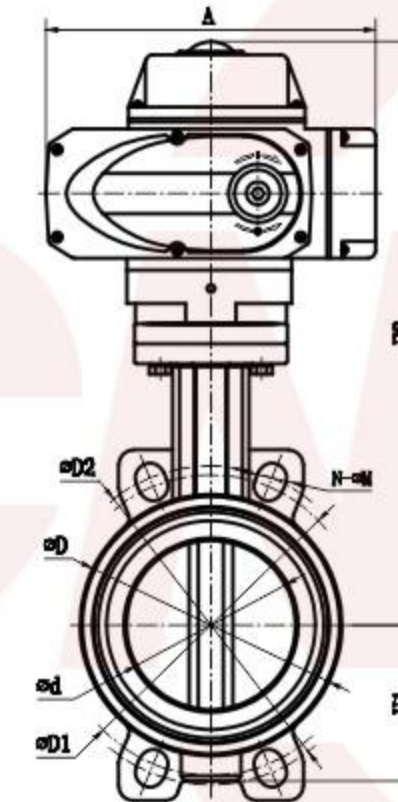
介质温度: -20°C ~ +180°C
 环境温度: -20°C ~ +60°C
 公称压力: 0~1.0MPa
 控制电源: AC110V、AC220V
 AC380V、DC24V
 规格: Φ19-Φ159
 阀体材质: CF8、CF8M
 阀座材质: PTFE
 阀杆材质: 304
 控制特点: 开关型、调节型

Technical parameters

Medium temperature: -20°C ~ +180°C
 Ambient temperature: -20°C ~ +60°C
 Nominal pressure: 0 ~ 1.0 MPa
 Control power: AC110V, AC220V
 AC380V, DC24V
 Specification: Φ19-Φ159
 The valve body material: CF8, CF8M
 seat material: PTFE
 Stem material: 304
 Control features: switch model, external regulation

型号 model	L	d	D	A	H	执行器 Actuator
Φ19	108	16	50.5	160	173	YL-05
Φ25	112	22	50.5	160	178	YL-05
Φ32	125	29	50.5	160	185	YL-05
Φ38	135	35	50.5	160	194	YL-05
Φ45	150	42	64	160	216	YL-05
Φ51	160	48	64	196	240	YL-10
Φ57	170	53	77.5	196	245	YL-10
Φ63	178	59	77.5	196	258	YL-10
Φ76	220	72	91	196	265	YL-10
Φ89	240	85	106	256	285	YL-20
Φ102	270	97	119	256	294	YL-20
Φ114	320	108	130	256	305	YL-20
Φ133	400	125	145	256	322	YL-40
Φ159	480	150	172	256	350	YL-40

电动对夹蝶阀
Electric wafer butterfly valve



D971F-16Q
电动对夹蝶阀

技术参数

介质温度: -20°C ~ +150°C
 环境温度: -20°C ~ +60°C
 公称压力: 0~1.0MPa
 控制电源: AC110V、AC220V
 AC380V、DC24V
 规格: DN50-DN300
 阀体材质: 铸铁
 阀板材质: WCB CFB CF8M
 阀座材质: PTFE EPDM NBR FPM
 阀杆材质: 304
 控制特点: 开关型、调节型

Technical parameters

Medium temperature: -20°C ~ +150°C
 Ambient temperature: -20°C ~ +60°C
 Nominal pressure: 0 ~ 1.0 MPa
 Control power: AC110V, AC220V
 AC380V, DC24V
 Specification: DN50~DN300
 The valve body material: cast iron
 The valve material: WCB CF8M CFB
 seat material: EPDM, NBR FPM PTFE
 Stem material: 304
 Control features: switch model, external regulation

型号 model	d	L	D	D1	D2	A	H1	H2	N-ΦM	执行器 Actuator
DN40	38	33	83	98.5	110	160	62	282	4-Φ18	YL-05
DN50	50	43	99	120	125	160	62	296	4-Φ18	YL-05
DN65	64	46	115	139.5	145	160	80	300	4-Φ18	YL-05
DN80	76	46	130	146	160	160	90	312	4-Φ19	YL-05
DN100	102	52	150	178	190.5	196	105	344	4-Φ19	YL-10
DN125	123	56	180	210	216	196	118	355	4-Φ22	YL-10
DN150	146	56	207	230	238	256	130	405	4-Φ22	YL-20
DN200	203	60	265	295	295	256	165	438	4-Φ22	YL-40
DN250	250	68	314	340	358	256	200	453	4-Φ26	YL-60
DN300	300	78	370	395	425	280	232	490	4-Φ26	YL-100